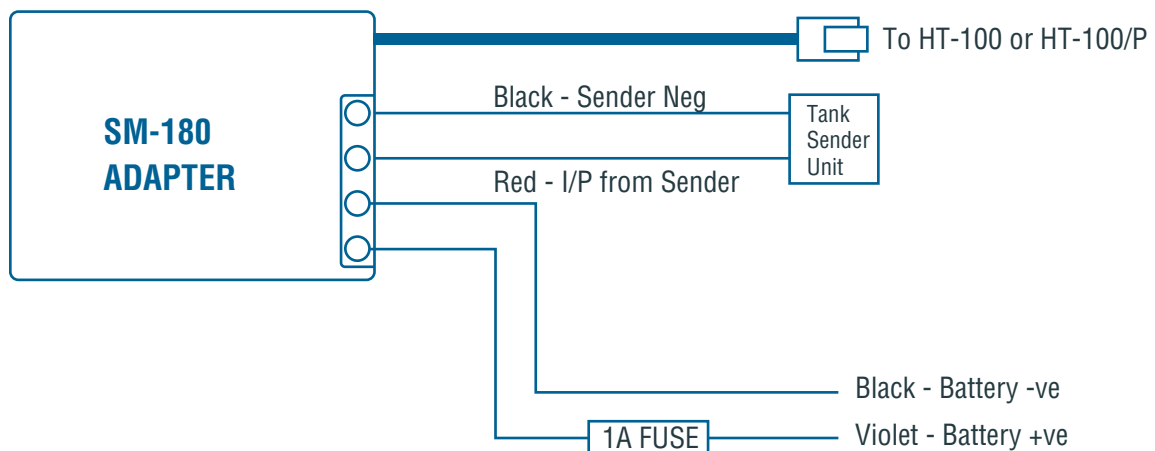




Adapter SM-180

The SM-180 adaptor has been designed to interface to either a VDO (10 to 180ohm) or Teleflex (240-33 ohm) sender. Switchable link for VDO or Teleflex.

Wiring Diagram:



Calibration:

The tank calibration is preformed inside the HT-100 or HT-100/P. See tank monitoring system manual.

Jumper Settings

